



# CHEM FLOWTRONICS

## 360° Full View Sight Flow Indicators

### Model #375



The model 375 is Chem Flowtronics answer to today's technological requirements in the field of sight verification equipment. Our latest Model "375" is Stainless Steel tough, manufactured in 316SS metallic components, hardware and fasteners.

The heart of the unit, is our glass "borosilicate" cylinder, manufactured of extra heavy wall glass capable of pressures not usually associated with tubular sight flow designs. Standard with every unit is an outer Polycarbonate Shield to protect both the glass from external forces, and equipment from internal forces.

We offer this design with a variety of wetted surfaces, or linings. The 316SS inlet flanges can be lined with PTFE, TEFZEL and ETFE. The flanges can be manufactured in different alloys C-22, C-276, Inconel, Titanium, to name a few.

Our unique "Flex compression Rods" allows the unit to adjust to variations in your piping systems, such as temperatures, mechanical loads, and PSIG fluctuations.

### Features:

- 150 psig Ratings for All Units
- Heavy Duty Stainless Construction
- Sealed Polycarbonate Shield
- 100% Hydro/Bubble Test @ 230 PSIG
- PTFE, ETFE, TEFZEL Linings & Alloy Options

### Specifications:

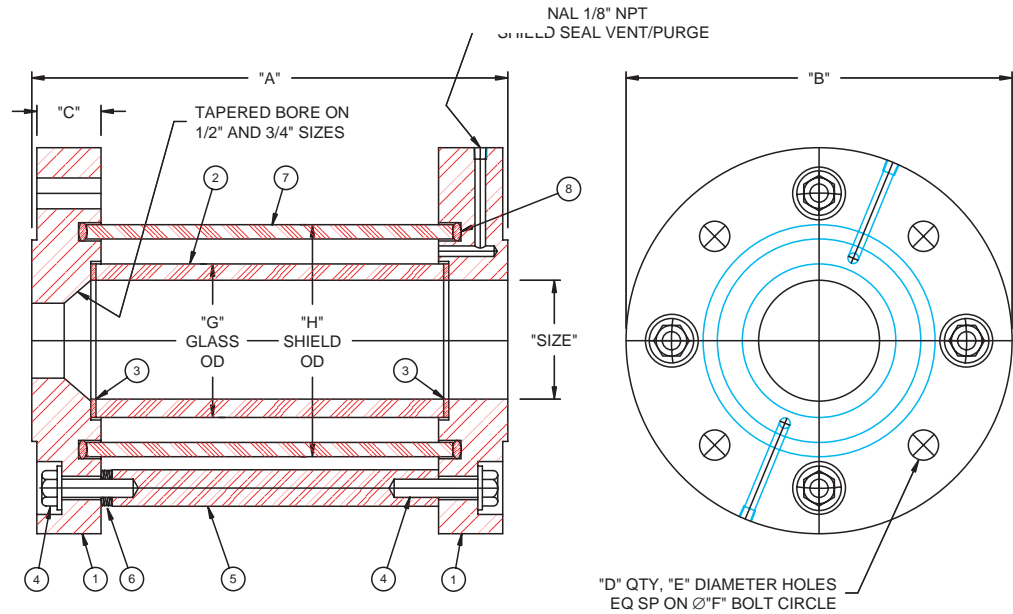
Standard Face to Face ..... 8"  
 Material of Construction ..... Stainless Steel  
 Glass ..... Borosilicate  
 PSIG ..... 150@350  
 Vacuum Rating ..... Full  
 Shield Construction ..... Polycarbonate  
 Test Pressure ..... 230 PSIG



# CHEM FLOWTRONICS

Chem Flow Corporation  
 P.O. Box 4634, Wayne NJ 07474-4635  
 Tel: 800-486-3356 · 973-785-0001 · Fax: 973-785-8051  
 Email: info@chem-flowtronics.com  
 Web: www.chem-flowtronics.com

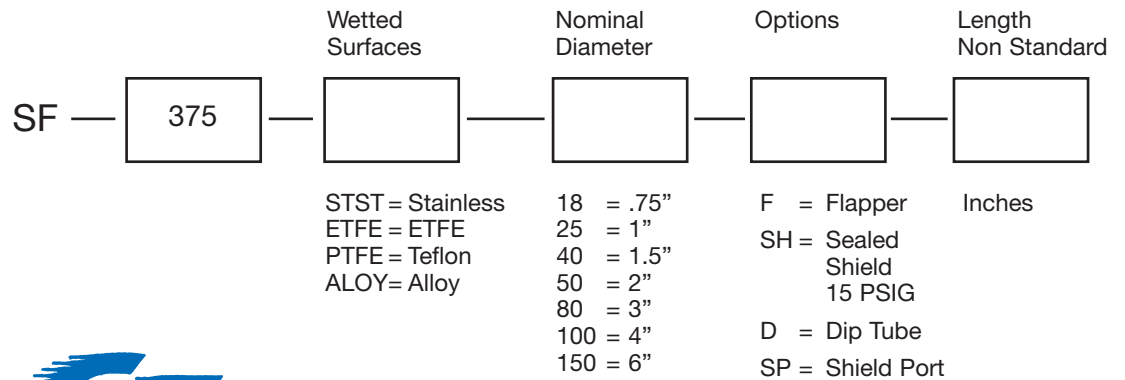
# Model #375



DIMENSIONS, IN INCHES [mm]								
SIZE	"A"	"B"	"C"	"D"	"E"	"F"	"G"	"H"
1/2"	8.00 [203.2]	3.50 [88.9]	0.44 [11.1]	4	0.63 [15.8]	2.38 [60.3]	1.56 [39.7]	2.25 [57.1]
3/4"	8.00 [203.2]	3.88 [98.4]	0.50 [12.7]	4	0.63 [15.8]	2.75 [69.9]	1.56 [39.7]	2.25 [57.1]
1"	8.00 [203.2]	4.25 [108.0]	0.56 [14.3]	4	0.63 [15.8]	3.13 [79.4]	1.56 [39.7]	2.25 [57.1]
1 1/2"	8.00 [203.2]	5.00 [127.0]	0.68 [17.5]	4	0.75 [19.1]	3.88 [98.4]	2.16 [54.8]	2.75 [69.9]
2"	8.00 [203.2]	6.00 [152.4]	0.75 [19.0]	4	0.75 [19.1]	4.75 [120.7]	2.66 [67.5]	3.50 [88.9]
3"	8.00 [203.2]	7.50 [190.5]	0.94 [23.8]	4	0.75 [19.1]	6.00 [152.4]	3.84 [97.6]	4.50 [114.3]
4"	8.00 [203.2]	9.00 [228.6]	0.94 [23.8]	8	0.75 [19.1]	7.50 [190.5]	5.34 [135.7]	6.00 [152.4]

BILL OF MATERIAL			
ITEM NO	DESCRIPTION	MATERIAL	QTY
1	END FLANGE	316 SS	2
2	SIGHT GLASS	BOROSILICATE	1
3	GASKET	PTFE	2
4	HEX HEAD BOLT	CS ZINC PLATED	8
5	TIE ROD	SS	4
6	SPRING WASHER	SS	16
7	SAFETY SHIELD	POLYCARBONATE	1
8	OPTIONAL ORING SHIELD SEAL	SILICONE	2

## Ordering Information



**CHEM FLOWTRONICS**

Chem Flow Corporation  
 P.O. Box 4635, Wayne NJ 07474-4635  
 Tel: 800-486-3356 · 973-785-0001 · Fax: 973-785-8051  
 Email: info@chem-flowtronics.com  
 Web: www.chem-flowtronics.com