



CHEM FLOWTRONICS

Series LG-1160 Sanitary Level Gauge



The Chem Flowtronics Series LG-1160 Sanitary Level Gauge offers 360-degree view of the process fluid for liquid level verification, and process validation. Chemflowtronics unique end fittings with integral 90 degree elbows, reduces process dead space, increases tank visual verification area, and eliminates the leak paths associated with secondary fittings.

Wetted surfaces are Type 316L Stainless Steel with an internal finish of 180 grit, borosilicate glass inner tube and gaskets per your specifications. The gaskets chosen will determine temperature and pressure ratings of the unit.

The sight tube is manufactured from heavy wall borosilicate glass tubing, then tooled to a precision sanitary end configuration, similar to .75" stainless steel sanitary fittings. The inner wetted borosilicate glass tube is then protected with an impact resistant polycarbonate shield, which is held in place with delran shield guides.

Vessel connections vary with application, however .75" sanitary tri-clamp ends are standard and lengths are per your specification. Pressure ratings are up to 150 psig – full vacuum, temperature ratings are up to 350 F. Others specifications are available, please consult the factory.

Options for the Sanitary Level Gauge include materials of constructions, SS, Alloys and plastic, connection configurations, lengths, shielding and gaskets.



CHEM FLOWTRONICS

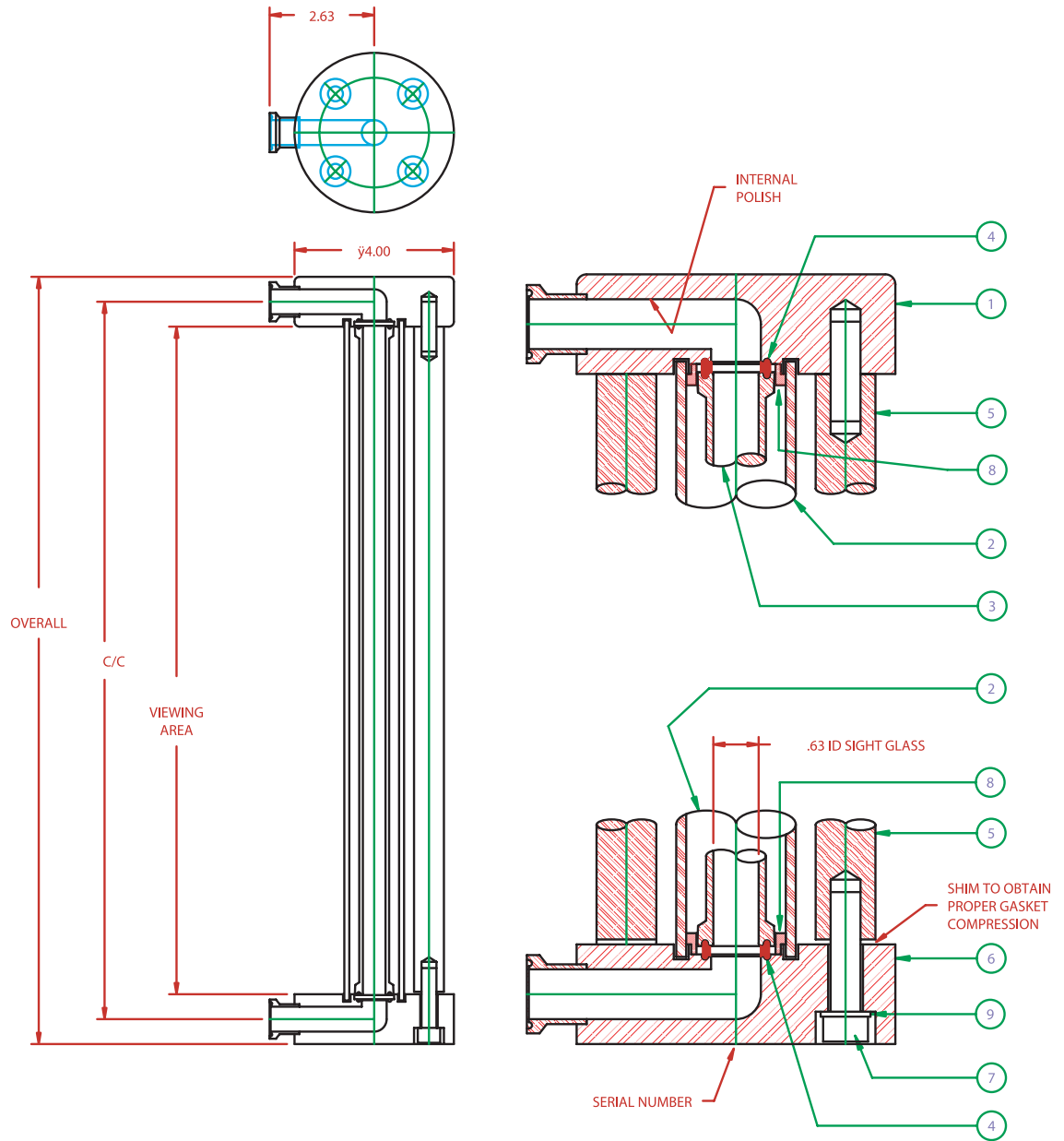
Chem Flowtronics, Inc.

195 Paterson Ave., Little Falls, NJ 07424

Tel: 800-486-3356 · 973-785-0001 · Fax: 973-785-8051

Email: info@chem-flowtronics.com · Web: www.chem-flowtronics.com

9/03



BILL OF MATERIAL

NO	ITEM DESCRIPTION	MATERIAL	QTY
1	TOP CAP	316SS	1
2	SIGHT GLASS SHIELD	POLYCARBONATE	1
3	GRADUATED SIGHT GLASS	BOROSILICATE	1
4	SIGHT GLASS GASKET	EPDM SANITARY	2
5	TIE ROD	316SS	4
6	BOTTOM CAP	316SS	1
7	SOCKET HEAD CAP SCREW	304SS	4
8	SHIELD GUIDE	DELTRIN	2
9	LOCKWASHER	304SS	4



CHEM FLOWTRONICS

Chem Flowtronics, Inc.
 195 Paterson Ave., Little Falls, NJ 07424
 Tel: 800-486-3356 · 973-785-0001 · Fax: 973-785-8051
 Email: info@chem-flowtronics.com · Web: www.chem-flowtronics.com