



CHEM FLOWTRONICS

Sanitary Sightglass Model SG-1100-SS



Chem Flowtronics unique Sanitary design sightglasses designed using standard sanitary piping components modified to support BOROSILICATE safety glass lens. The unique design criteria offers a small retention area above the lens to eliminate the retention areas thus increasing cleanability.

Standard material of construction is 316L SS internal and external polished. Other materials of construction are available, please consult with the factory. The unit is supplied with the support cover, lens, and shim gaskets only. No seal gasket, clamp or ferrule is provided. However, the Model 1100-SS sightglasses can be supplied complete with all of the components you would need to mount to the vessel or piping components.

The Model SG-1100-SS is rated for 150 PSIG, (10.3 Barg) which is based on the standard shim gaskets.



CHEM FLOWTRONICS

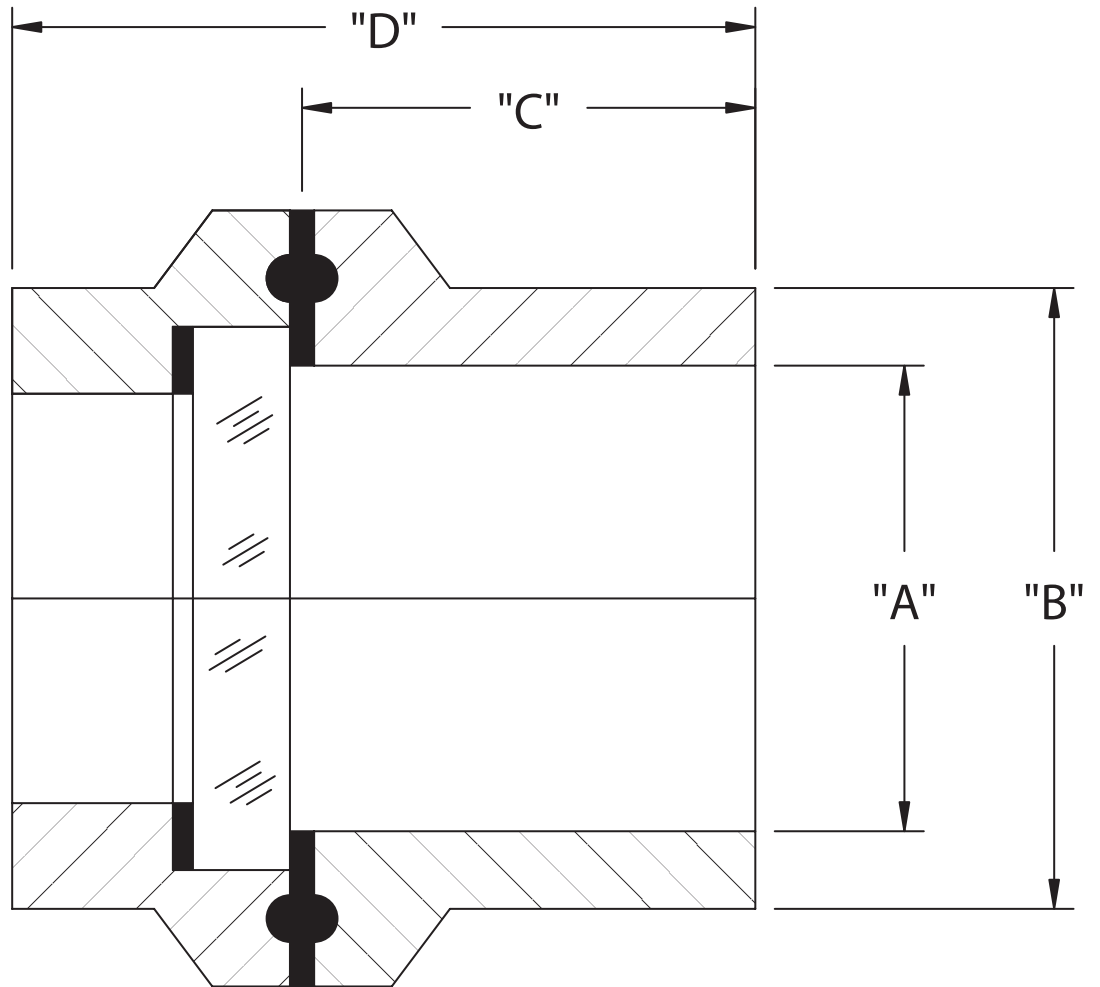
Chem Flowtronics, Inc.

195 Paterson Ave., Little Falls, NJ 07424

Tel: 800-486-3356 · 973-785-0001 · Fax: 973-785-8051

Email: info@chem-flowtronics.com · Web: www.chem-flowtronics.com

1/04



MODEL SG-1100-SS DIMENSIONAL DATA

SIZE	"A"		"B"		"C"		"D"		APPROX WEIGHT	
	INCH	MM	INCH	MM	INCH	MM	INCH	MM	LB	Kg
1"	.859	22	1.160	29	1.125	29	1.937	49	2	1
1 1/2"	1.356	34	1.676	43	1.125	29	1.937	49	3	1
2"	1.856	47	2.192	56	1.25	32	2.187	56	4	2
2 1/2"	2.356	60	2.708	69	1.25	32	2.187	56	6	3
3"	2.856	73	3.224	82	1.43	37	2.500	64	8	4
4"	3.810	97	4.256	108	1.63	41	2.875	73	11	5
6"	5.782	147	6.000	152	1.00	25	2.875	73	8	4



CHEM FLOWTRONICS

Chem Flowtronics, Inc.

195 Paterson Ave., Little Falls, NJ 07424

Tel: 800-486-3356 · 973-785-0001 · Fax: 973-785-8051

Email: info@chem-flowtronics.com · Web: www.chem-flowtronics.com