



CHEM FLOWTRONICS

Socket Weld & Butt Weld “Dual Window”



Sight Flow Indicators

Models 201, 202

The Chem Flowtronics Model 201 is a unique Socket Weld unit, which allows for continual pipe integrity in welded systems. The 201 can be manufactured in many alloys and pipe schedule requirements. Standard materials of construction are 316SS or Carbon Steel.

The Model 202 is a Butt Weld version of the sight flow product line. The unit can be supplied with a variety of scheduled weld preps, materials of construction, including sanitary orbital welding specifications. Special ID and OD finishes, can also be provided.

Features:

- Largest Viewing Area in the Industry
- Lightweight for Easy Installation
- Glass Shield
- Teflon Gaskets Standard
- Drip Tube Standard on All Models
- Tempered Borosilicate Glass Standard
- Pressure rating for all sight flow indicators: 150 PSIG
- Temperature rating with Teflon gaskets: 400°F

Options:

- A variety of alloy bodies available
- Rotor • Flapper • Vent
- Instrument fittings
- Special face-to-face dimensions
- Stainless steel backup flanges
- Safety shields
- Chrome plating
- Other gasket materials: Viton, neoprene
- Stainless steel lens flanges and bolts (i.e. 100% stainless steel construction)
- Full ANSI rating

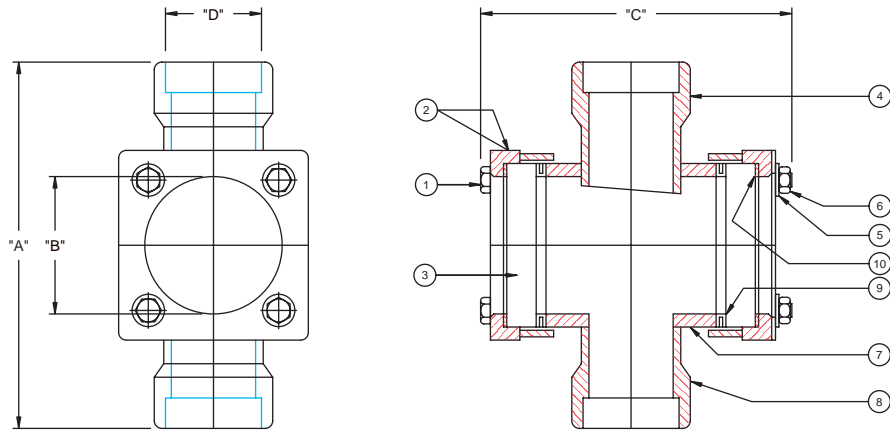


CHEM FLOWTRONICS

Chem Flow Corporation
P.O. Box 4635, Wayne NJ 07474-4635
Tel: 800-486-3356 · 973-785-0001 · Fax: 973-785-8051
Email: info@chem-flowtronics.com
Web: www.chem-flowtronics.com

Socket Weld "Dual Window" Sight Flow Indicator

Model 201

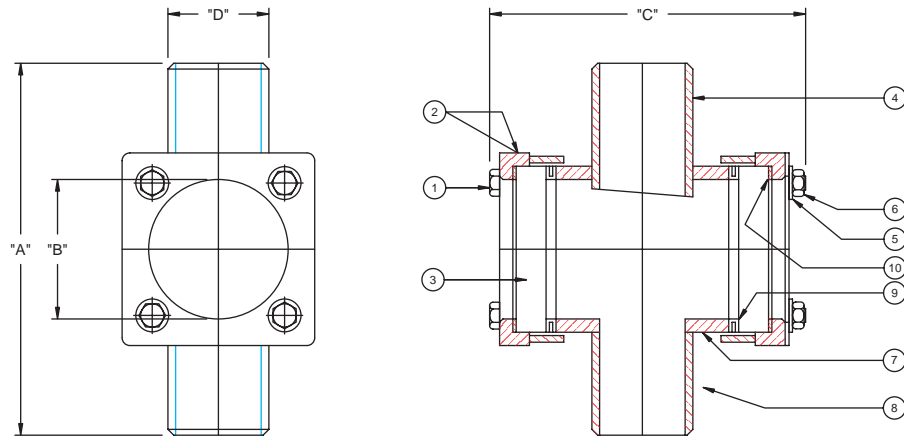


DIMENSIONS, IN INCHES [mm]					
SIZE	"A"	"B"	"C"	"D"	APPROX WEIGHT LBS
1/2"	6.00 [152.4]	2.00 [50.8]	5.38 [136.5]	.84 [21.3]	5
3/4"	6.00 [152.4]	2.00 [50.8]	5.38 [136.5]	1.05 [26.7]	6
1"	5.63 [142.9]	2.00 [50.8]	5.38 [136.5]	1.31 [33.4]	8
1 1/2"	6.50 [165.1]	2.50 [63.5]	5.75 [146.0]	1.90 [48.3]	15
2"	7.88 [200.0]	3.00 [76.2]	7.50 [190.5]	2.38 [60.3]	17
3"	9.38 [238.1]	4.00 [101.6]	9.13 [231.8]	3.50 [88.9]	27
4"	11.00 [279.4]	5.00 [127.0]	11.13 [282.6]	4.50 [114.3]	46
6"	14.25 [362.0]	7.50 [190.5]	14.50 [368.3]	6.63 [168.3]	107

ITEM DESCRIPTION	
ITEM NO	DESCRIPTION
1	HEX BOLT
2	LENS FRAME
3	TEMPERED SIGHT GLASS
4	SS DRIP TUBE
5	SPRING LOCK WASHER
6	HEX NUT
7	BODY
8	SS RECEIVING TUBE
9	TFE ENVELOPE GASKET
10	LENS GASKET
11	NAMEPLATE

Butt Weld "Dual Window" Sight Flow Indicator

Model 202



DIMENSIONS, IN INCHES [mm]					
SIZE	"A"	"B"	"C"	"D"	APPROX WEIGHT LBS
1/2"	6.00 [152.4]	2.00 [50.8]	5.38 [136.5]	.84 [21.3]	5
3/4"	6.00 [152.4]	2.00 [50.8]	5.38 [136.5]	1.05 [26.7]	6
1"	5.63 [142.9]	2.00 [50.8]	5.38 [136.5]	1.31 [33.4]	8
1 1/2"	6.50 [165.1]	2.50 [63.5]	5.75 [146.0]	1.90 [48.3]	15
2"	7.88 [200.0]	3.00 [76.2]	7.50 [190.5]	2.38 [60.3]	17
3"	9.38 [238.1]	4.00 [101.6]	9.13 [231.8]	3.50 [88.9]	27
4"	11.00 [279.4]	5.00 [127.0]	11.13 [282.6]	4.50 [114.3]	46
6"	14.25 [362.0]	7.50 [190.5]	14.50 [368.3]	6.63 [168.3]	107

ITEM DESCRIPTION	
ITEM NO	DESCRIPTION
1	HEX BOLT
2	LENS FRAME
3	TEMPERED SIGHT GLASS
4	SS DRIP TUBE
5	SPRING LOCK WASHER
6	HEX NUT
7	BODY
8	SS RECEIVING TUBE
9	TFE ENVELOPE GASKET
10	LENS GASKET
11	NAMEPLATE

Chem Flow Corporation

P.O. Box 4635, Wayne NJ 07474-4635 · Tel: 800-486-3356 · 973-785-0001 · Fax: 973-785-8051

Email: info@chem-flowtronics.com · Web: www.chem-flowtronics.com