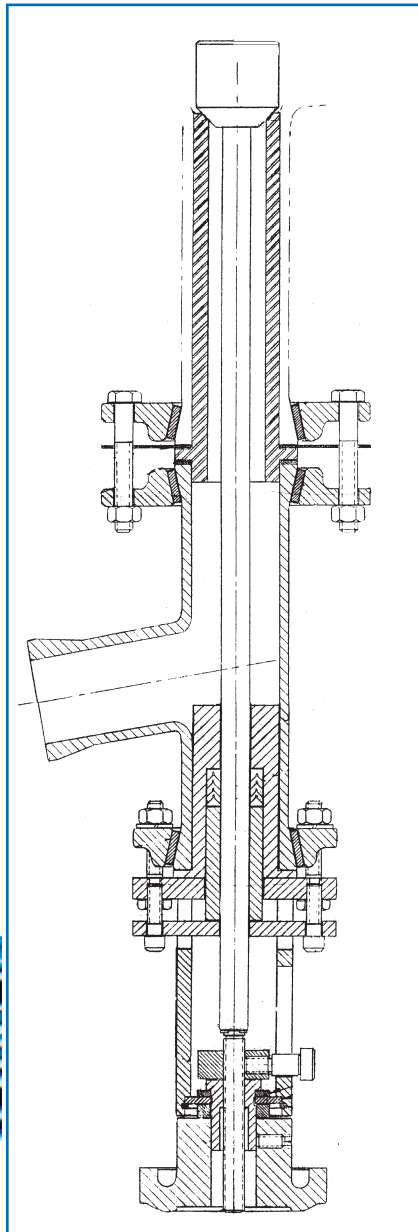




CHEM FLOWTRONICS

**INTEGRAL
SEAT
DESIGN**

**FLUSH
BOTTOM
VALVES**



Features:

- Easy Installation
- Teflon® Seat
- Light Weight Assembly
- Teflon® Lined Option
- 1" thru 6"



CHEM FLOWTRONICS

Chem Flow Corporation
P.O. Box 4635, Wayne NJ 07474-4635
Tel: 800-486-3356 · 973-785-0001 · Fax: 973-785-8051
Email: info@chem-flowtronics.com
Web: www.chem-flowtronics.com